

TOTO

Neorest XH I

Luxurious Integrated Toilet

CW992VA/ TCF992WA



TOTO
GREEN
CHALLENGE

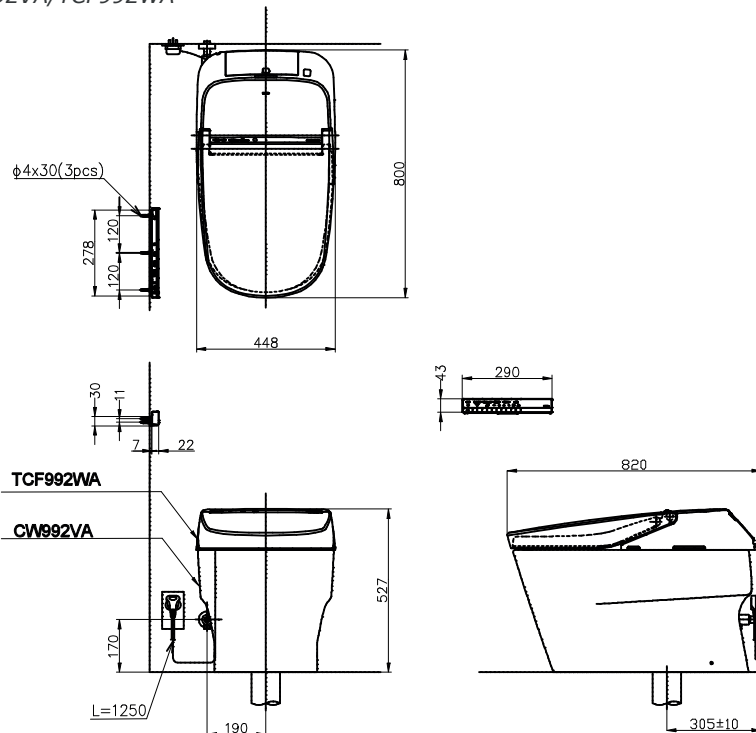


Features

- Integrated appearance of luxury, stylish, elegant
- Hybrid Ecology System
 - water saving dual flush 3.8/3.0L
 - minimum required water pressure only at 0.05Mpa (Dynamic)
- Tornado Flushing for powerful flushing effect with less amount of water
- Integral Washlet features front and rear warm water washing
- eWater⁺ spreads out and keeps clean toilet bowl and nozzle by preventing bacteria with sanitizing effect
- Automatic operation : Lid opens, closes and toilet flushes when sensor is activated
- Auto soft light function usable for night time usage.

eWater⁺ is made from tap water by electrolyzed chloride ion without any chemicals. After use, it returns to normal water in the state of safe and environmental friendly.

CW992VA/TCF992WA



Specifications

- Flush System : Tornado (Siphon Jet)
- Water Use : 3.8/3L
- Rough-in : 305mm
- Water Pressure : 0.05Mpa ~ 0.75Mpa
- Power Rating : AC 220 ~ 240V : 50/60Hz
- Length of Power Cord : 1.2m
- Material : Bowl - China
Seat & Cover - Plastic
Remote Controller - Aluminium
- Size : 448W x 820D x 527H mm

Parts Description

- **CS992VA**
Water Closet Bowl (S-trap)
- **TCF992WA**
Washlet Unit

Colors

- White