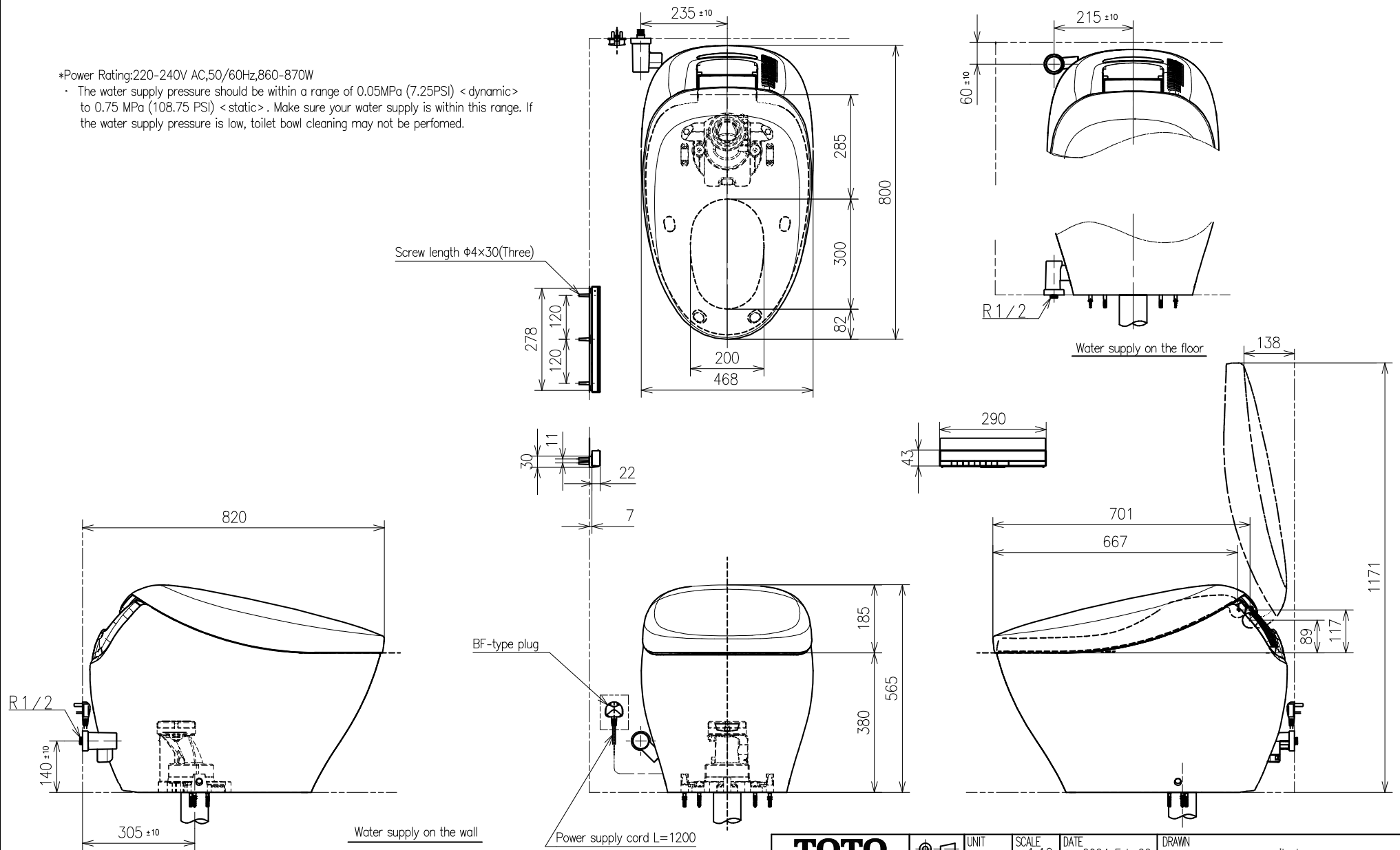


\*Power Rating:220-240V AC,50/60Hz,860-870W

- The water supply pressure should be within a range of 0.05MPa (7.25PSI) < dynamic > to 0.75 MPa (108.75 PSI) < static > . Make sure your water supply is within this range. If the water supply pressure is low, toilet bowl cleaning may not be performed.



<b>TOTO</b>		UNIT mm	SCALE 1:10	DATE 2024-Feb-22	DRAWN yumiko.hasegawa
TITLE ウォシュレット一体形便器ネオレスト					CHECKED yusuke.eto
TOILET BOWL (NEOREST)					APPROVED kenichi.nakamura
REMARKS					ITEM NUMBER CS903K_VT_(EN)